

STATE OF MAINE
COMMERCIAL VEHICLE LAWS & REGULATIONS

Effective June 6, 2012
Reference to Maine Revised Statutes Annotated, Title 29-A
Prepared By The Bureau of Motor Vehicles,
Office of Motor Carrier Services
With the Advice and Consent of
Maine Department of Transportation and
Maine Department of Public Safety

1. CONTACTS FOR COMMERCIAL VEHICLE INFORMATION, LAWS, and REGULATIONS

Traveler Information, Weather, Posted & Restricted Roads:
 Internet Web Site Address: www.511maine.gov
 Telephone: 511

Bureau of Motor Vehicles (BMV):
 Internet Web Site Address: www.maine.gov/sos/bmv/commercial
 Telephone: (207) 624-9000 + Extension

	Extension
Administrative Services	
Main Switchboard.....	52155
Driver License Services	
Accidents.....	52110
Administrative Hearings.....	52113
Court Records.....	52100
Driving Records.....	52116
Financial Responsibility.....	52108
License Examinations (Auto).....	52119
License Examinations (Commercial).....	52122
Medical Review.....	52124
OUI.....	52104
Renewals/Changes/State IDs.....	52114
Vehicle Services	
Container Permits.....	52134
Dealer Licensing.....	52143
For Hire Insurance.....	52131
Fuel Tax Reporting (IFTA).....	52136
Fuel Tax Decals.....	52137
Heavy Vehicle Use Tax.....	52151
Operating Authority/Unified Carrier Registration.....	52131
Overlimit Permits.....	52134
Registrations	
Auto.....	52149
IRP Commercial.....	52135
Non IRP Commercial.....	52151
Trailer.....	52151
Special Mobile Equipment.....	52151
Titles.....	52138
USDOT Numbers.....	52131

E-mail:

Vehicle Services

Container Permits.....overpermits@maine.gov
For Hire Insurance.....forhireins@maine.gov
Fuel Tax Reporting (IFTA).....IFTA.BMV@maine.gov
Fuel Tax Decals.....IFTA.BMV@maine.gov
Motor Carrier Services Admin.....MCSAdmin.BMV@maine.gov
Heavy Vehicle Use Tax.....HVUT.BMV@maine.gov
Unified Carrier Registration (UCR).....ucr@maine.gov
Overlimit Permits.....overpermits@maine.gov
Registrations
 IRP Commercial.....meirp@maine.gov
 Trailer.....TrailerUnit.BMV@maine.gov
Titles.....Titles.BMV@maine.gov
USDOT Numbers.....USDOT.BMV@maine.gov

Other Contacts:

Drug Test Requirements (FMCSA)..... (207) 622-8358
Explosives Transport
 State Regulations/Permits..... (207) 626-3880
 Federal Regulations/Permits..... (207) 626-3880
Fuel Tax Audits (Maine Revenue Services)..... (207) 624-9608
Hazardous Materials Transport
 State Regulations..... (207) 624-8939
 Federal Regulations..... (207) 622-8358
MaineDOT, Bridge Maintenance..... (207) 624-3600
Maine Motor Transport Association (MMTA)..... (207) 623-4128
Maine Turnpike Regulations..... (800) 698-7747
Occupational Safety (U.S. Dept. of Labor)..... (207) 941-8177
Petroleum & Waste Oil Transport (DEP)..... (207) 287-2651
Posted Road Exemptions (Nearest MaineDOT Regional Office)
 Region 1 (Southern Region)..... (207) 885-7000
 Region 2 (Mid Coast Region)..... (207) 624-8200
 Region 3 (Western Region)..... (207) 562-4428
 Region 4 (Eastern Region)..... (207) 941-4500
 Region 5 (Northern Region)..... (207) 764-2060
Propane Delivery Tech. License (Prof & Fin Reg) (207) 624-8603
Safety Inspections/Regulations (State Police).. (207) 624-8939
Sales Tax (Maine Revenue Services)..... (207) 624-9693
Seafood Transport (Marine Resources)..... (207) 624-6550
Solid Waste Transport (DEP)..... (207) 287-2651
State Fire Marshall..... (207) 626-3880
USDOT Numbers (FMCSA)..... (207) 622-8358

**2. MAILING ADDRESSES FOR COMMERCIAL VEHICLE INFORMATION, LAWS,
and REGULATIONS**

Maine Bureau of Motor Vehicles
Motor Carrier Services
29 State House Station
Augusta, ME 04333-0029

Fax: (207) 624-9086 (IRP/IFTA)
Fax: (207) 622-5332 (Overlimits/Operating Authority/UCR/USDOT)
Fax: (207) 624-9390 (HVUT)

Physical Location: 101 Hospital Street, Route 9, Augusta
Hours of Operation:

Overlimit Permit Unit: 7:30 AM to 5:00 PM
All Other Units: 8:00 AM to 5:00 PM

Note: Most BMV forms and rules are available online at www.maine.gov/sos/bmv/commercial.

Federal Motor Carrier Safety Administration (FMCSA)
40 Western Avenue
Augusta, ME 04330
Fax: (207) 622-8477

Maine Bureau of the State Police, Troop K
Commercial Vehicle Enforcement
20 State House Station
Augusta, ME 04333-0020
Fax: (207) 287-5247

Maine Department of Environmental Protection
Bureau of Remediation & Waste Management
17 State House Station
Augusta, ME 04333-0017
Fax: (207) 287-7826

Maine Department of Marine Resources
21 State House Station
Augusta, ME 04333-0021
Fax: (207) 624-6024

Maine Department of Professional & Financial Regulation
Office of Licensing & Registration
35 State House Station
Augusta, ME 04333-0035
Fax: (207) 624-8637

Maine Motor Transport Association (MMTA)
PO Box 857
142 Whitten Road
Augusta, ME 04332-0857
Fax: (207) 623-4096

Maine Revenue Services
24 State House Station
Augusta, ME 04333-0024
Fax: (207) 624-9694

Maine Turnpike Authority
2360 Congress Street
Portland, ME 04102
Fax: (207) 871-7739

Occupational Safety & Health Administration
U. S. Department of Labor
40 Western Avenue, Room G-26
Augusta, ME 04330
Fax: (207) 622-8213

State Fire Marshal
52 State House Station
Augusta, ME 04333-0052
Fax: (207) 287-6251

3. COMMERCIAL VEHICLE REGULATIONS

A. Registration

Trucks, including eligible pickup trucks, must be registered as commercial vehicles for the actual gross weight of the truck and load, including the weight of any trailer or semitrailer and the load being drawn. A pickup truck registered as a passenger vehicle may not exceed 6,000 pounds gross vehicle weight unless it is towing: 1) a camper trailer; or, 2) a utility trailer weighing less than 2,000 pounds gross weight where the combined gross vehicle weight of the pickup and the utility trailer does not exceed 8,000 pounds. Otherwise, pickup trucks towing trailers where the combined gross vehicle weight exceeds 6,000 pounds must register as a commercial vehicle.

IRP Vehicles (see www.irponline.org): Maine is a member of the International Registration Plan (IRP). Any Maine-based power unit used or intended for use in two or more IRP jurisdictions to transport persons for hire or designed or used for the transportation of property must be registered in the IRP if the unit:

- (1) has two axles and a gross vehicle weight (GVW) or registered gross vehicle weight in excess of 26,000 pounds, or
- (2) has three or more axles, regardless of weight, or
- (3) is used in combination when the gross vehicle weight of the combination exceeds 26,000 pounds.

Recreational vehicles, vehicles displaying restricted plates, buses used in the transportation of chartered parties, or government owned vehicles are not required to

be in the IRP (see the Department of the Secretary of State Rule Chapter 162 for more information at www.maine.gov/sos/cec/rules/29/250/250c162.doc).

Apportionable vehicles based in another IRP jurisdiction and operating in Maine must have Maine on the cab card or have a valid Maine IRP trip permit. Non-apportioned vehicles operating intrastate must register in Maine or obtain trip permits.

Non-IRP Vehicles: except for certain motor vehicles registered in IRP, motor vehicles based in Maine must register in Maine based on the combined gross weight of the vehicle and maximum load to be carried. For truck tractor-semitrailer combinations, the power unit is registered for the combined gross weight and the semitrailer is registered for a nominal fee. A motor vehicle may not be operated in excess of the maximum weight allowed for its configuration, (see TABLE 1), without additional permits.

Taxes, Titles & Insurance: a registrant must pay an annual municipal excise tax before obtaining a Maine registration. Vehicles subject to the Title Law must be titled, or have a title application pending. Evidence of insurance is also required at the time of registration. Sales tax payment or proof of exemption from sales tax is required for a first time registration.

Boosters: once a commercial motor vehicle is registered in Maine, the gross weight may be increased for a period of one to eight months by paying an additional fee. Temporary increases in registered weight (boosters) convey all the privileges and responsibilities of registration. A temporary registered gross weight increase may not extend beyond the expiration of the regular registration. For motor vehicles registered in the IRP, boosters are valid only in Maine.

B. Heavy Vehicle Use Tax

Owners of vehicles registered or boosted to 55,000 pounds or more must file proof every year that the Federal Heavy Vehicle Use Tax (HVUT) has been paid. For vehicles base-registered in Maine under the IRP, proof must be submitted at registration; other vehicles operating only within Maine must file proof within four months of vehicle registration. Otherwise, the vehicle's registration will be suspended. Proof of payment must be a receipted copy of the Internal Revenue Service (IRS) Form 2290, Schedule 1, or a copy of both sides of the canceled check. Proof of HVUT payment must be provided to the Bureau of Motor Vehicles, Registration Section, 29 State House Station, Augusta,

Maine 04333-0029. Documents may be faxed to the Registration Section at 624-9390. For assistance with HVUT payments, contact the Bureau of Motor Vehicles at 624-9000, extension 52151 or your nearest IRS office.

The IRS requires electronic filing of Form 2290 for each return reporting 25 or more vehicles. However, any taxpayer may file electronically. For more information on e-file, visit the IRS website at www.irs.gov/efile.

C. Fuel Use Licensing And Reporting

Qualified Vehicles - vehicle operators using fuel other than gasoline must establish an account for fuel tax licensing and reporting if the motor vehicle:

- (1) has a registered gross weight or gross vehicle weight of more than 26,000 pounds; or
- (2) has three or more axles on the power unit regardless of weight; or
- (3) is a bus with a seating capacity of 20 or more including the driver.

Each qualified motor vehicle must display either a Maine fuel use identification decal or an IFTA decal.

IFTA (see www.iftach.org): Maine is a member of the International Fuel Tax Agreement (IFTA). Anyone operating qualified motor vehicles in two or more IFTA jurisdictions must license and report mileage and fuel consumption in all IFTA jurisdictions through their base (home) jurisdiction. A Maine-based carrier operating out-of-state must license for IFTA with the Bureau of Motor Vehicles' Fuel Use Licensing Unit unless the carrier can satisfy the basing requirements in another jurisdiction. In IFTA, the carrier is issued one set of decals good for travel in all IFTA jurisdictions, and makes one quarterly fuel tax report to the base jurisdiction. Many IFTA jurisdictions require qualified gasoline-powered vehicles to license and report. Maine-based carriers with qualified gasoline-powered vehicles will license and report through the Bureau of Motor Vehicles' Fuel Use Licensing Unit.

Intrastate Carriers: Maine carriers operating qualified motor vehicles entirely within the State of Maine must license and display fuel decals. Carriers are exempt from filing fuel tax reports. However, carriers still must keep mileage records and report their fleet mileage and fuel consumed on their annual decal application.

Fuel License: An application for a fuel license creates an annual account and requires the filing of fuel tax reports. Fuel decals are initially issued in conjunction with the annual fuel license. Additional decals may be requested throughout the license year as needed.

Temporary Decal Permit: Maine may issue a temporary 30-day decal permit (in lieu of a decal) to operate a specific qualified vehicle to a new licensee or an existing licensee in good standing acquiring additional decals. The licensee will be issued an annual decal prior to the expiration of the 30-day temporary decal permit.

Trip Permits: In lieu of licensing and reporting, a carrier may obtain a 72-hour trip permit for a fee of fifty dollars.

D. Overlimit Permits

General Information: an overlimit permit is required to transport non-divisible vehicles and/or loads which exceed the legal length, width, height, or weight limits established in Title 29-A, Chapter 21. Permits are not issued for divisible loads and such requests will be denied as these loads can be reduced to legal dimensions and/or weight. Permits are granted only for roads and bridges maintained by the Maine Department of Transportation and the NETC network. Municipalities may have their own restrictions and permitting systems in place. The appropriate municipality should be contacted prior to any move to check for local restrictions or requirements.

All vehicles transporting overlimit loads are subject to certain safety, routing, time-of-day, and holiday restrictions, as well as escort requirements. Additional information is available online at www.maine.gov/sos/bmv/commercial/olperms.htm.

Multi-State Permits: Maine, New Hampshire, Massachusetts, Vermont, and Rhode Island formed the New England Transportation Consortium (NETC). The NETC developed a common set of safety standards and procedures for issuing multi-state permits for the movement of non-divisible oversize/overweight combination vehicles and loads in interstate travel over predetermined routes within the five states. The issuing state issues a single permit on behalf of all affected states. To qualify for a multi-state permit, the vehicle and load may not exceed:

- (1) 90 feet in length;
- (2) 13 feet 6 inches in height;

- (3) 14 feet in width (with an additional 6 inches of overhang allowed for the eaves on mobile and modular home components only);
- (4) 108,000 pounds for 5 axle and 120,000 pounds for 6 or more axle truck tractor-semitrailer combination vehicles.

Vehicles exceeding these limits must obtain separate permits in each applicable state.

Maine Turnpike Permit: the Maine Turnpike has its own specified size and weight limitations. Movement of oversized loads on the Maine Turnpike requires payment of a ten dollar (\$10) permit fee in addition to the applicable toll. Additional information is available by calling (800) 698-7747 or online at www.maineturnpike.com.

E. 53 Foot Semitrailer Vehicles

Special permits for 53 foot semitrailers are no longer required. A combination vehicle not exceeding 74 feet in overall length that consists of a truck tractor and a single semitrailer whose length exceeds 48 feet but does not exceed 53 feet may be operated without a special permit on all highways in Maine provided that the semitrailer meets certain dimensional and safety requirements.

A combination vehicle exceeding 74 feet in overall length that consists of a truck tractor and a single semitrailer whose length exceeds 48 feet but does not exceed 53 feet may operate only on the following roads and within 1 mile of these roads:

- (1) the Maine Interstate Highway System (including the Maine Turnpike),
- (2) the Scarborough Connector from I-295 in South Portland to US Route 1 in South Portland,
- (3) the South Portland Spur from I-95 in South Portland to US Route 1 in South Portland, and
- (4) US Route 1 from I-95 in Brunswick to the Congress Street interchange in Bath.

Additionally, 53 foot trailers are subject to the following dimensional requirements and safety conditions:

- (1) the wheelbase of the semitrailer, measured as the distance from the kingpin to the center of the

rearmost axle of the semitrailer, may not exceed 43 feet,

- (2) the kingpin setback of the semitrailer may not exceed 3½ feet,
- (3) the rear overhang of the semitrailer may not exceed 35 percent of the wheelbase,
- (4) the semitrailer must be equipped with a rear underride guard, vehicle lights, and reflective material as prescribed by statute, and
- (5) the semitrailer must be equipped with a conspicuous wide-turn sign.

For additional information please reference Title 29-A M.R.S.A. § 2390.

F. Interstate Operating Authority/Unified Carrier Registration (UCR)/Insurance Requirements

Interstate Carriers providing transportation of cargo or passengers for compensation must obtain Operating Authority (MC Number) from the Federal Motor Carrier Safety Administration (FMCSA). Carriers may apply online at: www.fmcsa.dot.gov/registration-licensing/online-registration/onlineregdescription.htm

Maine is a member of the Unified Carrier Registration Agreement (UCRA). The UCR Agreement requires all interstate for-hire motor carriers transporting property or passengers and interstate motor private carriers transporting property, as well as brokers, freight forwarders, and leasing companies (collectively referred to as UCR registrants) to register with the United States Department of Transportation (USDOT) and to pay UCR fees.

Maine-based carriers must register in Maine to satisfy this requirement. Annual fees are based on fleet size. The revenue generated must be used for commercial vehicle safety programs and incentives. For purposes of determining the number of fleet vehicles, a "commercial motor vehicle" is defined as a self-propelled vehicle used on the highways in commerce primarily to transport passengers or cargo, if the vehicle has a gross vehicle weight rating or gross vehicle weight of at least 10,001 pounds, whichever is greater, is designed to transport more than 10 passengers, including the driver, or is used in transporting hazardous materials in quantities requiring placarding. Online UCR registration is available at www.maine.gov/online/ucr.

Intrastate Carriers of passengers for compensation (for hire) must contact the Bureau of Motor Vehicles' Operating Authority Unit to ensure compliance with Maine's insurance requirements. Owners of taxis, limousines, buses, and consumer rental vehicles must maintain continuous proof of insurance based on the manufacturer's designed maximum seating capacity.

Further information on these requirements is available from the Operating Authority Unit or online at www.maine.gov/sos/bmv/commercial/oassrs.htm.

G. Commercial Vehicle Safety Inspections

Most commercial vehicles, (including trucks, buses, trailers, semitrailers and converter dollies), which use public highways in interstate or intrastate commerce to transport passengers or property are required to have an annual commercial vehicle safety inspection when:

- (1) the gross vehicle weight or gross vehicle weight rating of the vehicle or combination vehicle exceeds 10,000 pounds; or
- (2) the vehicle is designed to transport more than 15 passengers including the driver; or
- (3) the vehicle is used in the transportation of hazardous materials which require placarding.

Commercial vehicles displaying a current certificate of inspection from any state or federally-approved commercial vehicle inspection program are exempt from inspection until the normal expiration of the certificate. Storage trailers operating under the provisions of Title 29-A M.R.S.A. §462(8) also are exempt from annual inspections. For information on vehicles exempted from annual inspections, contact Maine State Police Troop K, Commercial Vehicle Enforcement at (207) 624-8939.

H. Hazardous & Nonhazardous Waste & Materials Carriers

Carriers of petroleum, waste oil, and solid waste must contact the Department of Environmental Protection at (207) 287-2651 or online at www.maine.gov/dep for information about the required transport licenses. Propane haulers should contact the Maine Department of Professional & Financial Regulation. Those transporting explosives should contact both the State Fire Marshal and the Federal Highway Administration. Federal Hazardous Materials Regulations may apply to motor vehicles of any size which transport certain hazardous materials, wastes, or substances, including bulk

cryogenic liquids. Contact the Federal Motor Carrier Safety Administration at (207) 622-8358 for further information. The Maine State Police may be contacted at (207) 624-8939 for information about placarding and hazardous materials regulations.

I. Federal Motor Carrier Safety & Insurance Regulations

Federal Motor Carrier Safety Regulations (FMCSR) apply to the operation of commercial motor vehicles which transport property or passengers in interstate commerce. The regulations also apply to commercial vehicles operating entirely within Maine. The FMCSR definition of a "commercial motor vehicle" is as described in the preceding paragraph on Commercial Vehicle Safety Inspections. There are certain exemptions for carriers operating within a 100 air mile radius of their home base. See "Motor Carrier Safety Rules" chart for safety regulations applicable to property carriers.

Federal Minimum Financial Responsibility (Insurance) Requirements apply to interstate "for hire" motor carrier operations and to the interstate transportation of any quantity of a hazardous material. These requirements also apply to the transportation of hazardous materials in a portable or cargo tank with a capacity exceeding 3,500 gallons, whether transported entirely within Maine or interstate. See "Motor Carriers of Property Insurance Reference Chart" for insurance requirements or contact the Federal Motor Carrier Safety Administration at (207) 622-8358 for further information.

J. Federal Drug Testing Requirements

Federal regulations require that all motor carriers operating commercial motor vehicles be subject to testing for marijuana, cocaine, opiates, amphetamines, and phencyclidine (PCP). "Commercial motor vehicles" for the purposes of drug testing include:

- (1) a single vehicle with a gross vehicle weight rating or registered weight exceeding 26,000 pounds;
- (2) a combination of vehicles with a combined gross vehicle weight rating or registered weight exceeding 26,000 pounds if the vehicle being towed exceeds 10,000 pounds gross weight;
- (3) passenger vehicles designed to transport 16 or more passengers (including the driver); and

- (4) vehicles transporting hazardous materials which require placarding.

If a driver is subject to the Federal Motor Carrier Safety Regulations pertaining to Commercial Driver's Licenses (CDL's) and the vehicle meets the definition of a commercial vehicle described in paragraph G, then the driver must be tested.

For information concerning drug testing procedures and programs, see the chart on "Motor Carrier Safety Rules" or contact the Federal Motor Carrier Safety Administration at (207) 622-8358.

K. USDOT Identification Numbers

All motor carriers (for-hire carriers and private motor carriers) operating commercial motor vehicles must, unless exempted, obtain a U. S. Department of Transportation (USDOT) number. For purposes of the USDOT number requirement, a commercial motor vehicle is any self-propelled or towed motor vehicle used on a highway in interstate or intrastate commerce to transport passengers or property when the vehicle -

- (1) Has a gross vehicle weight rating (GVWR) or gross combination weight rating, or gross vehicle weight (GVW) or gross combination weight, of 10,001 pounds (4,536 kg) or more, whichever is greater; or
- (2) Is designed or used to transport more than 8 passengers (including the driver) for compensation; or
- (3) Is designed or used to transport more than 15 passengers, including the driver, and is not used to transport passengers for compensation; or
- (4) Is used in transporting material found by the Secretary of Transportation to be hazardous under 49 U.S.C. § 5103 and transported in a quantity requiring placarding under regulations prescribed by the Secretary.

Effective September 1, 2012, the Federal Motor Carrier Safety Administration (FMCSA) is eliminating the 'Vehicle Registrant Only' company operation type. This operation type was used to designate a person or company as a non-motor carrier not authorized to operate in interstate commerce unless leased on to a motor carrier. Effective June 6, 2012, the State of Maine will no longer require a USDOT number for commercial motor vehicle registrants who

are not motor carriers. Commercial motor vehicle registrants meeting either of the following two conditions will no longer be required to provide a USDOT number at the time of registration:

- (1) The registrant is an owner-operator never operating commercial motor vehicles under its own USDOT number or operating authority; or
- (2) The registrant owns and registers commercial motor vehicles for the sole purpose of renting or leasing those vehicles to motor carriers who will operate the commercial motor vehicles to transport goods.

All IRP registrants will still be required to provide USDOT numbers for all motor carriers responsible for the safety of their fleet vehicles.

Interstate and intrastate motor carriers are subject to the marking requirements under 49 C.F.R. § 390.21. The USDOT number must be displayed on both sides of the commercial motor vehicle prior to beginning operation.¹

USDOT numbers are issued by the Federal Motor Carrier Safety Administration and can be obtained online at <http://www.fmcsa.dot.gov/registration-licensing/online-registration/onlineregdescription.htm> free of charge.

Motor carriers operating commercial motor vehicles with gross vehicle (combination) weight ratings or gross vehicle (combination) weights greater than 26,000 pounds can obtain USDOT number applications from any Bureau of Motor Vehicles branch office or by calling the Bureau's Motor Carrier Services Section at 624-9000, extension 52131. The Bureau will process USDOT number applications for motor carriers in this group.

The Bureau of Motor Vehicles does not process USDOT number applications for motor carriers operating commercial motor vehicles with gross weights of 26,000 pounds or less. Motor carriers in this group should use FMCSA's online service or the services of a processing agent to obtain a USDOT number.

L. Headlight Illumination

Maine Public Law 1997, Chapter 249 requires that the headlights of all motor vehicles operating on a public way must be illuminated whenever the vehicle's windshield

¹ The Maine State Police has adopted the federal requirements for the display of USDOT numbers on intrastate vehicles. Questions should be directed to the Maine State Police, Commercial Vehicle Enforcement Unit at (207) 624-8939.

wipers are in constant use. This requirement is in addition to requiring headlight illumination if operating at night or whenever, due to weather conditions, vehicles or persons cannot be seen for a distance of 1,000 feet ahead.

4. GROSS WEIGHT LIMITS

A. Maine General Law

Maine's General Law gross weight limit applies to the following highways:

- (1) Interstate 95 from the New Hampshire State Line to Exit 113 (Augusta Cushnoc Bridge) which includes the Maine Turnpike; and
- (2) all non-Interstate highways.

Maine's General Law provides that the total weight of a vehicle or a combination of vehicles, plus their load, is limited, based on the number of axles, to the gross vehicle weights listed in TABLE 1.

TABLE 1 - GENERAL LAW GROSS WEIGHT LIMITS

Total Axles	Gross Vehicle Weight
2 Axles	34,000 pounds
3 Axles	54,000 pounds
4 Axles	69,000 pounds*
5 Axles	80,000 pounds
6 Axles	100,000 pounds**

* Also applies to all single unit vehicles over four axles.

** Applies only to a combination vehicle consisting of a three axle truck tractor towing a tri-axle semitrailer that is operating on the General Law highways listed above or any portion of the interstate highway system in Maine for as long as a federal law exempting Maine from the 80,000 pound interstate limit is in effect. The 80,000 pound limit applies to all other combination vehicles over four axles, except for certain vehicles carrying special commodities which are allowed additional weight tolerances. See Section 9.C.

TABLE 2 shows the gross weight limit reduction for four or more axle combination vehicles having short wheel bases. The "Distance In Feet" noted is that between the centers of the extreme axles of the vehicle, excluding the steering axle, measured to the nearest foot.

**TABLE 2 - COMBINATION TRUCK GROSS VEHICLE WEIGHT
LIMITS FOR SHORTER WHEEL BASE VEHICLES**

SPECIAL 6 AXLE COMBINATION			ALL OTHER COMBINATION TRUCKS		
DISTANCE IN FEET	GROSS VEHICLE WEIGHT		DISTANCE IN FEET	GROSS VEHICLE WEIGHT	
	SC	OTHER		4 AXLE	5+ AXLES
27	90,000	82,000	8	59,000	Reduced 2,000 Pounds From 80,000 For Each Foot Less Than 24 Feet
28	92,000	84,000	9	60,000	
29	94,000	86,000	10	61,000	
30	96,000	88,000	11	62,000	
31	98,000	90,000	12	63,000	
32	100,000	92,000	13	64,000	
33		94,000	14	65,000	
34		96,000	15	66,000	
35		98,000	16	67,000	
36		100,000	17	68,000	
			18	69,000	
			19	Over 18 Feet Limited To 69,000	70,000
			20		72,000
			21		74,000
			22		76,000
			23		78,000
			24		80,000
			25		80,000

Notes on TABLE 2

- (1) "Special 6 Axle Combination" may be only a three axle truck tractor (not truck) hauling a semitrailer with a rear tri-axle.
- (2) Four and five axle combinations hauling certain special commodities are also eligible for a 10 percent GVW tolerance up to 75,900 pounds for a four axle combination and 88,000 pounds for a five axle combination if traveling on the Maine Turnpike or off the Interstate Highway System. (See Section 9.C.)
- (3) "SC" means a Special 6 Axle Combination truck registered for at least 90,000 pounds that is hauling certain special commodities. (See Section 9.C.)
- (4) "OTHER" means all other Special 6 Axle Combination trucks.

B. Interstate Highway System

For operation on the Interstate Highway System, excluding those segments of the Interstate Highway System listed in Section 4.A., the weight of the vehicle or combination of vehicles, plus their load, is limited by Bridge Formula B, modified. In addition, the Bridge Formula also limits the

total weight of any group of consecutive axles of a vehicle or combination of vehicles according to the distance between the centers of the extreme axles in the group. The greatest load allowed is 80,000 pounds (see 4.C. for the only exception). TABLE 3 lists the maximum Bridge Formula B weight limits for groups of axles containing from two to seven axles arranged by the distance between extreme axles in the group.

Bridge Formula B, modified is: $W = 500(LN/(N-1) + 12N + 36)$
where:

- W = overall gross weight on any group of two or more consecutive axles;
- L = overall distance in feet between the centers of extreme axles for any group of two or more consecutive axles; and
- N = number of axles in the group under consideration.

The following are exceptions to the use of the Bridge Formula on the Interstate System:

- (1) single axles are limited to 20,000 pounds for vehicles over 73,280 pounds GVW, and 22,000 pounds for vehicles 73,280 pounds GVW or less;
- (2) tandem axles are limited to 34,000 pounds;
- (3) two consecutive tandem axles may carry 34,000 pounds each if there are at least 36 feet between centers of extreme axles;
- (4) all three axle trucks with brakes on the wheels of all axles may be operated with a gross weight of 48,000 pounds if the distance between extreme axles is at least:
 - a. 16 feet when hauling construction materials, or
 - b. 18 feet when hauling forest products, or hauling raw ore from mine or quarry to place of processing.

TABLE 3 - INTERSTATE AXLE GROUP "BRIDGE FORMULA" WEIGHT LIMITS

Distance (FT) Between Centers of Extreme Axles In Axle Group	Gross Weight Limit On Any Group Of Consecutive Axles						
	2 Axles	3 Axles	4 Axles	5 Axles	6 Axles	7 Axles	
4.....	34,000						
5.....	34,000						
6.....	34,000						
7.....	34,000						
8.....	34,000	34,000					
More than 8.....	38,000	42,000					
9.....	39,000	43,000					
10.....	40,000	43,500					
11.....	41,000*	44,500					
12.....	42,000*	45,000	50,000				
13.....	43,000*	46,000	50,500				
14.....	44,000*	46,500	51,500				
15.....		47,500	52,000				
16.....		48,000	52,500	58,000			
17.....		49,000	53,500	58,500			
18.....		49,500	54,000	59,500			
19.....		50,500	54,500	60,000			
20.....		51,000	55,500	60,500	66,000		
21.....		52,000	56,000	61,000	66,500		
22.....		52,500	56,500	62,000	67,000		
23.....		53,500	57,500	62,500	68,000		
24.....		54,000	58,000	63,000	68,500	74,000	
25.....		55,000	58,500	63,500	69,000	74,500	
26.....		55,500	59,500	64,500	69,500	75,000	
27.....		56,500	60,000	65,000	70,000	76,000	
28.....		57,000	60,500	65,500	71,000	76,500	
29.....		58,000	61,500	66,000	71,500	77,000	
30.....		58,500	62,000	67,000	72,000	77,500	
31.....		59,000	62,500	67,500	72,500	78,000	
32.....		60,000	63,500	68,000	73,000	78,500	
33.....			64,000	68,500	74,000	79,500	
34.....			64,500	69,500	74,500	80,000	
35.....			65,500	70,000	75,000		
36.....			66,000**	70,500	75,500		
37.....			66,500**	71,000	76,000		
38.....			67,500**	72,000	77,000		
39.....			68,000	72,500	77,500		
40.....			68,500	73,000	78,000		
41.....			69,500	73,500	78,500		
42.....			70,000	74,500	79,000		
43.....			71,000	75,000	80,000		
44.....			71,500	75,500			
45.....			72,000	76,000			
46.....				77,000			
47.....			Greater	77,500			
48.....			Loads	78,000			
49.....			Not	78,500			
50.....			Practical	79,500			
51.....				80,000			

AXLE GROUPS IN
THESE SPACINGS
IMPRACTICAL

* 40,000 lbs. if GVW is 73,280 lbs. or more.
** If two tandems, 68,000 lbs.

C. Interstate Operation at Weights Exceeding 80,000 Pounds

Pursuant to federal legislation enacted November 18, 2011 and 29-A M.R.S.A. § 2355-A a 6-axle combination vehicle consisting of a 3-axle truck tractor with a tri-axle semitrailer having a maximum gross weight of 100,000 pounds may be operated on any portion of the Interstate Highway System in Maine if otherwise in compliance with all other requirements of Title 29-A M.R.S.A. Vehicle combinations operating under the exemption from the federal vehicle interstate weight limitations are subject to the Maine General Law Gross Weight Limits (see 4.A.) for as long as a federal law exempting Maine from the 80,000 pound interstate weight limit is in effect.

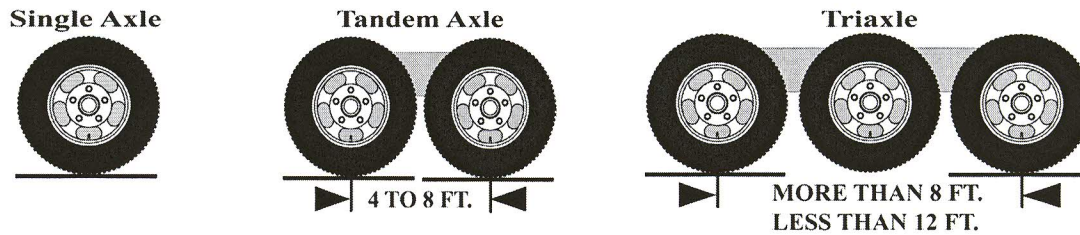
5. AXLE WEIGHT LIMITS

A. Groups of closely spaced axles shall be treated as follows:

- (1) axles whose centers are less than 4 feet apart shall be considered a single axle unit; and
- (2) a single axle whose center is closer than 10 feet, or if it is a steering axle 9 feet, to a tri-axle unit shall be considered part of that tri-axle and not add to the allowable load capacity of that tri-axle unit.

B. The axle weights, fine tolerances, and distance limits for axle units are illustrated in TABLE 4 below.

TABLE 4 - AXLE UNIT WEIGHT LIMITS & TOLERANCES
(Tolerances are in italics)



SINGLE AXLE		
INTERSTATE	22,000	Up to 73,280 lb. GVW.
	20,000	Over 73,280 lb. GVW.
Federal Exemption*	22,400	6-axle combinations only.
NON-INTERSTATE**		
General Freight	22,400	
Special Commodity***	24,200	
TANDEM		
INTERSTATE	34,000	
Federal Exemption*	41,000	6-axle combinations only.
NON-INTERSTATE**		
General Freight	38,000	
	41,000	6-axle combinations only.
Special Commodity***	44,000	5 or more axle trucks.
	46,000	All other trucks.
TRI-AXLE		
INTERSTATE	TABLE 3	
Federal Exemption*	50,000	6-axle combinations only.
NON-INTERSTATE**		
General Freight	48,000	
	50,000	6-axle combinations only.
Special Commodity***	54,000	
Forest & Potatoes****	64,000	4-axle single unit only.

* Only applies to a 6-axle vehicle combination consisting of a 3-axle truck tractor and a tri-axle semitrailer for as long as a federal law exempting Maine from the 80,000 pound interstate limit is in effect.

** Also applies to those sections of Interstate 95 listed at the beginning of Section 4.

*** "Special Commodities" are listed in Section 9.C.(4).

**** "Forest Products" include bark, sawdust, firewood, pulpwood, wood chips, or logs. Potato haulers must register the 4-axle truck as a farm truck.

WARNING: Fines for exceeding tolerance weights are calculated based upon the "General Freight" weight limit.

C. Loads shall be distributed as follows:

- (1) no single axle of a tandem unit may support more than 60 percent of the total weight supported by the tandem unit (no violation accrues if neither axle of the tandem exceeds the weight legally allowed on a single axle unit for the same vehicle);
- (2) no single axle of a tri-axle unit may support more than 40 percent of the total weight supported by the tri-axle unit; and
- (3) the allowable gross weight of a vehicle may not be increased by adding a "trailing axle" unless this axle supports at least 50 percent of the added weight permitted by adding that trailing axle.

D. Weight Limited By Tire Size

Regardless of any other applicable weight limits, all loads shall be limited to 600 pounds per inch of tire width, manufacturer's rating, except for farm trucks transporting potatoes directly from the field to the place of storage or to a processing facility during the potato harvesting season.

For additional information regarding the above axle and gross weight limits, please contact the Maine Department of Transportation, Bridge Maintenance at (207) 624-3580.

6. RESPONSIBILITY FOR OPERATION OF A COMMERCIAL MOTOR VEHICLE

Operation of a commercial motor vehicle is prima facie evidence that the operation was caused by the person, firm, corporation, or other entity acting as the motor carrier as determined by the USDOT Number, or in the absence of a USDOT Number, by the vehicle registrant.

7. BRAKES

Every truck, truck tractor, trailer and semitrailer must be equipped with adequate brakes acting on all wheels of all axles, except vehicles meeting any of the following conditions:

- A. any truck or truck tractor having three or more axles manufactured before August 1, 1980 need not have brakes on the steering axle wheels (vehicles with two steering axles must have brakes on one steering axle);
- B. any trailer or semitrailer that has a gross weight of 3,000 pounds or less;
- C. any vehicle towed by a wrecker;

- D. any vehicle that meets the braking requirements of the motor carrier safety regulations promulgated or accepted by the U. S. Department of Transportation;
- E. any semitrailer designed and used exclusively for the dispensing of cable from reels or to support the ends of poles while being transported, as long as the gross weight of the semitrailer and supported load does not exceed 12,000 pounds; or
- F. any dolly axle on a farm truck that is transporting agricultural products or supplies if such an axle does not increase the allowable gross weight of the vehicle.

8. PROJECTING OBJECTS & TRAILERS

Vehicles carrying objects that project more than 4 feet from the rear of the vehicle must, during the period of one-half hour after sunset to one-half hour before sunrise, carry a red light at or near the rear end of the projecting object(s). At all other times, the vehicle must carry a clean red cloth of the dimensions 12 inches by 12 inches attached at or near the end of the projecting object(s).

During the hours when lights are required, a vehicle carrying logs that project more than 4 feet from the rear of the vehicle is required to display a red reflector or to paint reflectorized paint on the end of the log projecting furthest to the rear. The reflector or reflectorized paint must be properly maintained, and must be located and be of a size which is sufficient to reflect at night on an unlighted highway the undimmed headlights of a vehicle approaching the rear of the vehicle from a distance of at least 200 feet.

A load must be covered or otherwise secured or confined to prevent any portion of the load from falling from or spilling out of the vehicle.

Trailers, semitrailers, or vehicles being towed must, in addition to the tow bar or coupling device, have a safety chain or steel cable made of not less than one-quarter inch wire so attached as to prevent breakaway from the towing vehicle. (This requirement does not apply to truck tractor and semitrailer units equipped with a fifth wheel mechanism.) Trailers that are wider than the towing vehicle must be equipped with reflective material or a lamp on each front corner that is visible to oncoming traffic.

9. OPERATIONAL VEHICLE WEIGHTS

The operational vehicle weights described in this section are applicable on the following highways:

- (1) Interstate 95 from the New Hampshire State Line to Exit 113 (Augusta Cushnoc Bridge) which includes the Maine Turnpike; and
- (2) all non-Interstate highways.

A. General Tolerance

Provided that gross, axle and tire limits are not exceeded, vehicles may operate at a gross weight exceeding the current registration by the greater of 2 1/2 percent or 500 pounds.

B. Maximum Operational Gross Vehicle Weight (GVW)

Note: See Section C. for exceptions to the following rules.

A three axle truck tractor (not truck) and tri-axle semitrailer combination vehicle may operate at a maximum of 100,000 pounds GVW if:

- (1) the vehicle is registered or apportioned for 100,000 pounds;
- (2) the distance* between extreme axles, excluding the steering axle, is at least 36 feet to the nearest foot;

** The 100,000 pound maximum GVW shall be reduced 2,000 pounds for each foot this distance is less than 36 feet, to the nearest foot.*

- (3) the minimum distance between the steering axle and the first axle of the tandem is at least 10 feet to the nearest foot; and
- (4) the maximum weight shall not exceed 41,000 pounds on the tandem axle and 50,000 pounds on the tri-axle.

For all vehicles manufactured, modified, or retrofitted with liftable or variable load suspension axles after October 30, 1991, such axles are permitted only under the following conditions:

- (1) only one liftable or variable load axle may be present on the truck tractor unit, and such axle must be legally part of the tandem axle group;
- (2) only one liftable or variable load axle may be present on the semitrailer unit, and such axle must be legally part of the tri-axle group; and

- (3) the axle weight rating of the lift axle must conform to the expected loading of the suspension and be at least 20,000 pounds or more.

C. "Special Commodity" Weight Tolerances.

- (1) While actively engaged in the exclusive transport of the commodities listed in subsection (4), vehicles will be allowed special weight tolerances.
- (2) The special weight tolerances are:
 - a. 10 percent over the maximum gross weights (up to 80,000 pounds) listed in TABLE 1;
 - b. 85,000 pounds GVW for certain six axle single unit trucks carrying only forest products. See Item (5);
 - c. 100,000 pounds GVW for combination vehicles consisting of a three axle truck tractor (not truck) that is registered or apportioned for at least 90,000 pounds operating in combination with a tri-axle semitrailer;
 - d. Axle weight limits: See TABLE 4, "Special Commodity".
- (3) Restrictions include:
 - a. wheel base reductions for 4 or more axle combinations;
 - b. 600 pounds per inch width of tire, manufacturer's rating;
 - c. unless otherwise indicated in this section, the vehicle must be registered or apportioned for the maximum legal weight allowed for that vehicle configuration under Maine law; and
 - d. for operation at 100,000 pounds gross weight, the distance between the extreme axles of the vehicle, excluding the steering axle, must be at least 32 feet to the nearest foot (See Table 2 for GVW reductions if this distance is less than 32 feet).
- (4) The vehicle must be loaded entirely with the following commodities:
 - a. materials or unset concrete intended for highway construction and carried in dump or transit mix trucks;

- b. manufacturer's concrete products;
 - c. raw ore from a mine or quarry to the place of processing;
 - d. unprocessed milk;
 - e. refrigerated products when they constitute the majority of products carried in a sealed vehicle;
 - f. building materials that absorb moisture during delivery;
 - g. incinerator ash;
 - h. unconsolidated rock materials including limestone, bark, pulpwood, firewood, logs, sawed lumber, bolts, soil, dimension lumber, road salt, solid waste, farm produce, sawdust, and wood chips.
- (5) A 6-axle single unit vehicle carrying only forest products may operate at a maximum gross vehicle weight of 85,000 pounds under the following conditions:
- a. the vehicle must be registered for at least 77,200 pounds;
 - b. the maximum weight of the steering axle may not exceed 15,600 pounds and the maximum weight of each of the other axles may not exceed 15,000 pounds;
 - c. all liftable axles must be in contact with the ground except that axles 2 and 6 may be temporarily lifted while cornering and then immediately lowered to full contact with the ground following the cornering operation. Axles 2 and 6, if liftable, must be fitted with interlock devices that prevent the operator from lifting the axle(s) when the vehicle speed exceeds 15 miles per hour.

Other restrictions apply. Contact the BMV, Motor Carrier Services Office for further information.

D. Posted Road Exemptions

Each spring, in order to prevent increased pavement damage from heavy truck axles during freeze and thaw cycles, MaineDOT evaluates its State and State-Aid highways to determine whether weight restrictions should be imposed. For a period of time, certain roads may be "posted" with

weight limit restrictions that are significantly lower than the regular weight limit.

When a road is posted, the weight limit of vehicle and load is 23,000 pounds. Unexempted vehicles will be subject to a weight violation if they exceed this weight when traveling on a posted road that is not considered to be solidly frozen. The determination of whether a road is frozen is made by an enforcement officer at a roadside stop, not by MaineDOT. A general guideline that the officer may use at his or her discretion is that a road is considered to be "frozen" if the air temperature is below 32 degrees Fahrenheit and there is no standing water on the road.

The following vehicles are exempt from posted highways regulations:

- (1) any vehicle or combination of vehicles registered for a gross vehicle weight of 23,000 pounds or less;
- (2) any unloaded vehicle (excluding special mobile equipment) carrying only tools and equipment necessary for the vehicle's proper operation regardless of registered weight;
- (3) MaineDOT highway maintenance vehicles or vehicles under the direction of a public jurisdiction engaged in emergency highway maintenance with the permission of the Maine Department of Transportation;
- (4) passenger cars, pickup trucks, emergency vehicles, school buses, and vehicles with fewer than 4 axles under the direction of a public utility and engaged in plant maintenance or repair;
- (5) vehicles carrying any home heating fuel to a private consumer, gasoline, groceries, bulk milk, bulk feed, solid waste, rubbish, or medical gases provided that an exemption certificate is obtained from MaineDOT. The vehicle must be registered in excess of 23,000 pounds and carry a partial load with a gross weight not to exceed the weight indicated on the exemption certificate. Applicants for certificates must present certified weigh slips for the empty weight of the vehicle;
- (6) any combination vehicle of five or more axles with a GVW of 80,000 pounds or less hauling perishable products, and having in the vehicle a permit issued by MaineDOT.

For lists of currently posted roads and information on obtaining exemption permits, check the MaineDOT website at www.maine.gov/mdot/postedroads/index.htm or contact the nearest MaineDOT Regional Office (see Section 1 -Contacts).

Please Note: Many municipalities impose similar spring weight restrictions on their local road systems. For information about local road postings, please contact the appropriate municipal office.

10. OCEANGOING CONTAINERS

Through joint action of the Maine Department of Transportation and the Secretary of State, carriers transporting sealed oceangoing containers on roads or bridges maintained by the Maine Department of Transportation may, under certain predefined conditions, be issued Oceangoing Container (OGC) Permits authorizing operation at weights in excess of the legal weight allowed for the transporting vehicle configuration. OGC Permits are vehicle and route specific; issued for a predetermined number of trips; and expire one year from the date of issue. An annual administrative fee is charged along with a highway system impact fee based on the road mile distance within the State of Maine between the container's port of entry/exit or railhead removal point and its destination or origin point. For additional information, contact the Overlimit Permit Unit at (207) 624-9000 extension 52134 or see the Department of the Secretary of State Rule Chapter 164 at www.maine.gov/sos/cec/rules/29/250/250c164.doc.

**MOTOR CARRIERS OF PROPERTY
INSURANCE REFERENCE CHART**

NOTE: The type of carriage listed applies to vehicles with a gross vehicle weight rating of 10,000 pounds or more unless otherwise specified.

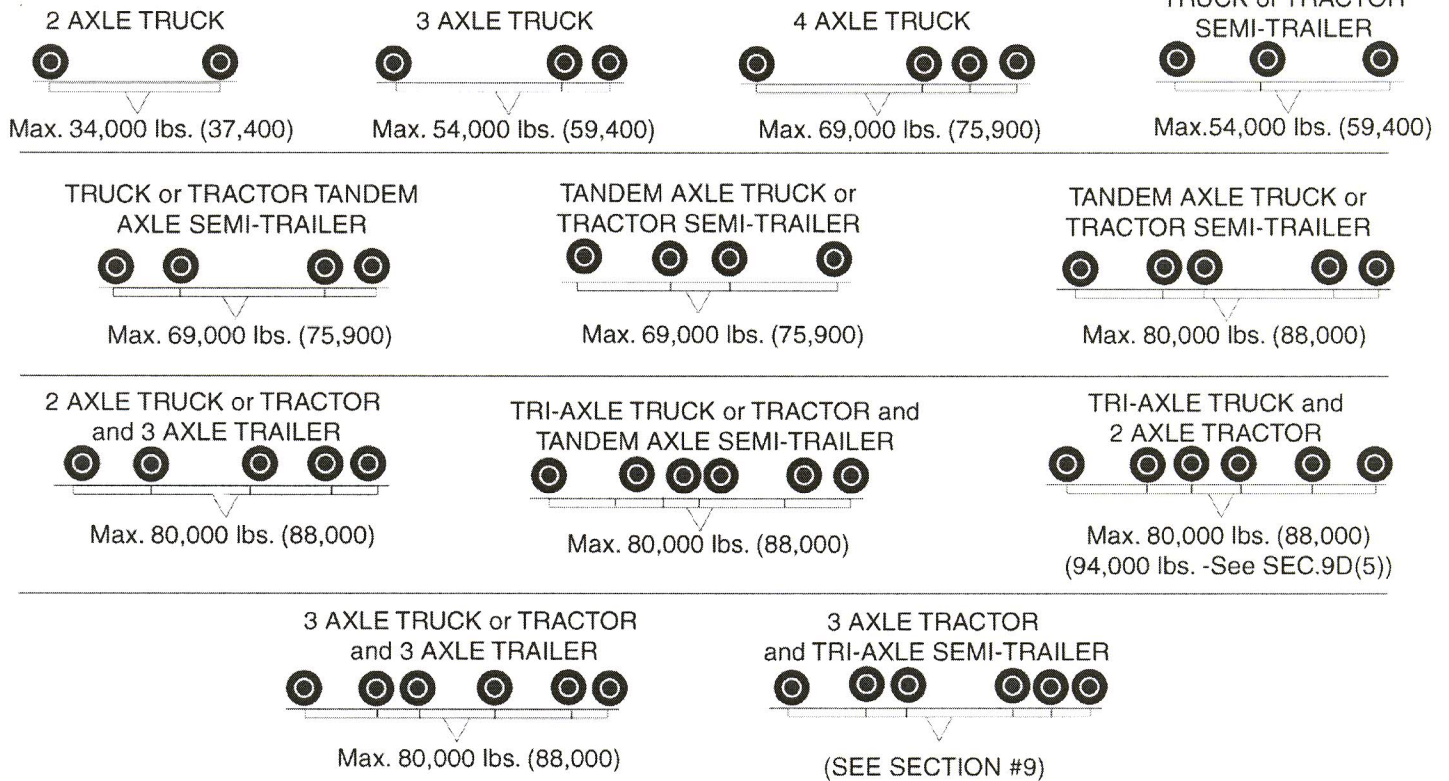
Operation Type	Commodity	Minimum Insurance Coverage Required
For hire, not federally regulated, all weights (Maine law)	General, not included in references below:	\$350,000
For-hire interstate, or foreign Commerce	Non-hazardous - general	\$750,000
For-hire and private commerce; Interstate, Foreign, or Intrastate	Hazardous substances as defined in 49 CFR 171.8 transported in cargo tanks, portable tanks, or hopper-type vehicles with capacities in excess of 3,500 water gallons; or in bulk Division 1.1, 1.2, and 1.3 materials, Division 2.3, Hazard Zone A, or Division 6.1, Packing Group 1, Hazard Zone A material; in bulk Division 2.1 or 2.2; or highway route controlled quantities of a Class 7 material, as defined in 49 CFR 173.403.	\$5,000,000
For-hire and private in commerce Interstate Foreign – any quantity Intrastate – bulk only	Oil listed in 49 CFR 172.101, hazardous waste, hazardous materials and hazardous substances defined in 49 CFR 171.8 and listed in 49 CFR 172.101, but not mentioned above or below.	\$1,000,000
For hire and private in commerce Interstate, Foreign, or Vehicles of GVWR less than 10,000 lbs.	Any quantity of Division 1.1, 1.2, or 1.3 material; any quantity of a Division 2.3, Hazard Zone A, or Division 6.1, Packing Group 1, Hazard Zone A material; or highway route controlled quantities of a class 7 material as defined in 49 CFR 173.403	\$5,000,000
For hire in commerce Interstate or Foreign	Property (nonhazardous)-vehicles of GVWR less than 10,000 lbs.	\$300,000
Short term rental vehicle (rental term equal to less than 30 days)	Subject to for hire and hazmat insurance if applicable	\$125,000 CSL OR \$50,000/\$100,000/\$25,000

**MOTOR CARRIER SAFETY RULES
PROPERTY CARRIERS – BY DISTANCE AND GROSS WEIGHT**

	PLAC- ALL; ANY WEIGHT- ANY RADIUS	INTRA <100 MI. 10,001 – 26k	INTRA <100 MI. >26k	INTRA >100 MI. 10,001 – 26k	INTRA >100 MI. >26k	INTER <100 MI. 10,001 – 26k	INTER <100 MI. >26k	INTER >100 MI. 10,001 – 26k	INTR >100 MI. >26k
CDL and Endorsements As Needed	X		X		X		X		X
Application for Employment	X			X	X	X	X	X	X
Pre-Hire Inquiries & Investigations	X	X Limited	X Limited	X	X	X	X	X	X
Annual Review Of Driving Record	X	X	X	X	X	X	X	X	X
Record of Violations	X	X	X	X	X	X	X	X	X
Medical Examiner Certificate	X			X1	X1	X	X	X	X
Substance Abuse Testing	X	X2	X	X2	X	X2	X	X if CDL	X
Driving Rules (Part 392)	X	X	X	X	X	X	X	X	X
Parts and Accessories (Part 393)	X	X	X	X	X	X	X	X	X
Hours of Service Requirements	X			X	X	X	X	X	X
Log Books	3			X	X	4	4	X	X
Vehicle Maintenance Records	X	X	X	X	X	X	X	X	X
Out of Service Criteria	X	X	X	X	X	X	X	X	X
Driver Vehicle Inspection Reports	X	X5	X5	X	X	X	X	X	X
Driver Pre-trip & Post-trip Inspection	X	X	X	X	X	X	X	X	X
Periodic Vehicle Inspection (Federal)	6	6	6	6	6	6	6	6	6
Brake Inspector Qualifications	X	X	X	X	X	X	X	X	X
Haz Mat Driving & Parking Rules	X								
US DOT Number	7	X	X	X	X	X	X	X	X

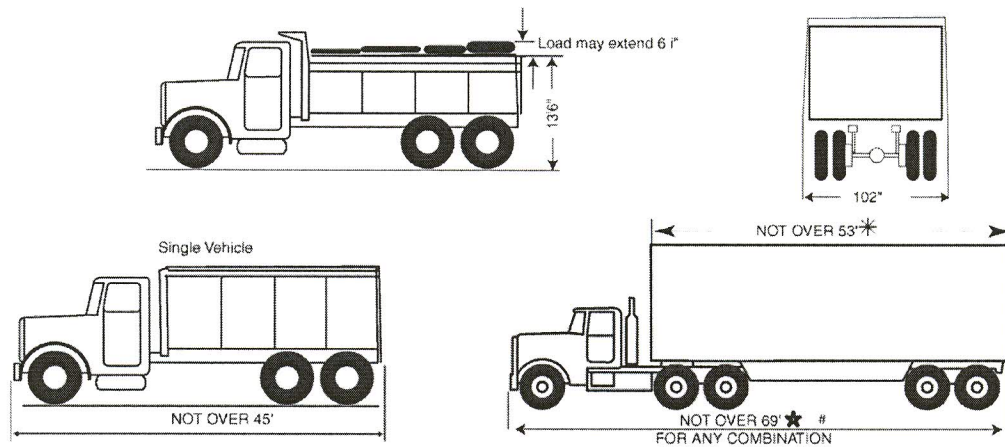
(1) Exempt from hearing portion of physical exam. (2) Only applicable to carriers/CDL drivers operating passenger vehicles designed to carry 16 or more passengers (P endorsement). (3) No log books under 100 MILES EXCEPT IF REQUIRED BY NOTE 4. (4) Some conditions apply to log book exemptions. (5) Applicable if carrier operates more than one commercial motor vehicle. (6) State mandated periodic motor vehicle inspection also applies. (7) All interstate and intrastate greater than 10K. Anyone who knowingly or intentionally violates or causes the violation of a safety rule that results in death or serious injury commits a Class C crime.

GROSS VEHICLE WEIGHTS (SPECIAL COMMODITY ALLOWANCES IN PARENTHESES)



Gross weight limits on the Interstate for all vehicles and commodities are controlled by Bridge Formula (Table 3.) However, in no case shall the maximum G.V.W. on the Interstate exceed the limits established in Table 1.

GROSS VEHICLE DIMENSIONS



* If >45 to 48 feet, then the distance between the center of the rear axle of the tractor and the center of the rear axle of the trailer must not exceed 38 feet

Not over 74 feet if including a semitrailer > 48 feet long.

★ Tree length logs may extend 8 1/2 ft. beyond the vehicle provided the extension is not more than 25% of the log length. (NON-INTERSTATE)

INTERSTATE EXTENDED VEHICLE LENGTHS

Applies also to certain designated Federal Aid Primary highways and permitted access to that system of highways.

